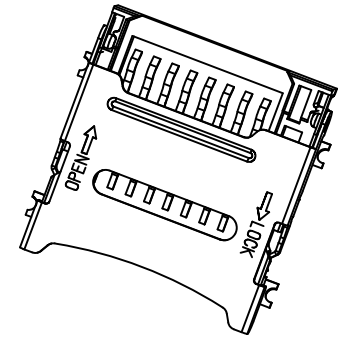
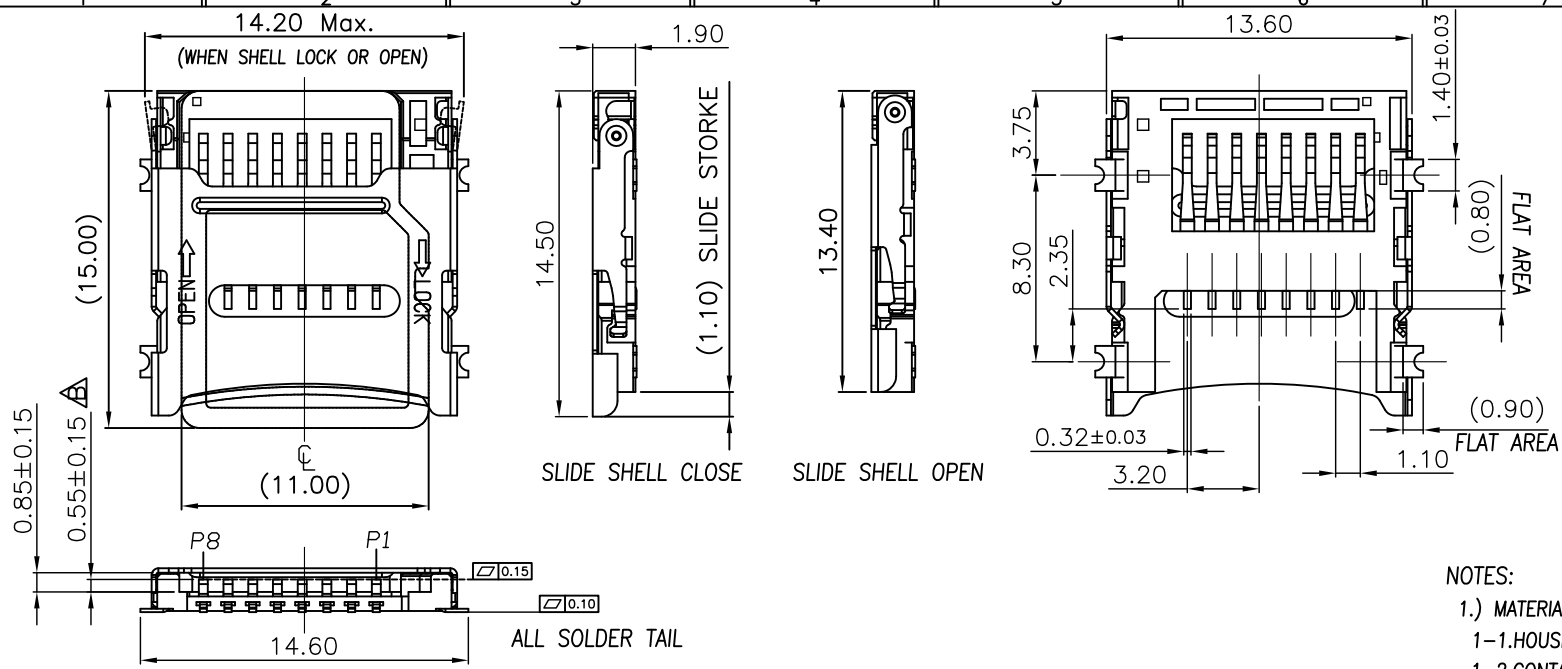


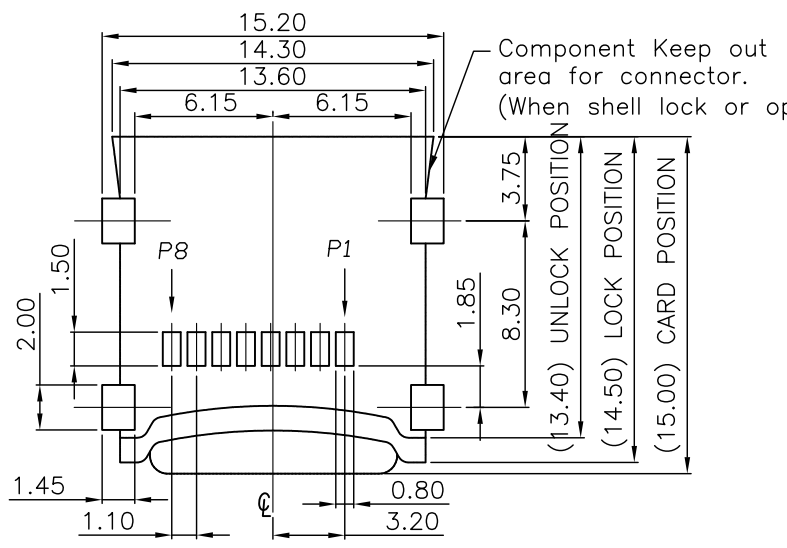
REV.	ECN.NO.	MODIFY.CONTENT
A		NEW
B	N14090101	增加弹高管控



Pin No.	NAME	TYPE	DESCRIPTION
1	DAT 2	I/O/PP	Date Line(bit2)
2	CD/DAT 3	I/O/PP	Card Detect/Date Line(bit3)
3	CMD	PP	Command Response
4	VDD	S	Supply Voltage
5	CLK	I	Colck
6	VSS	S	Supply Voltage Ground
7	DAT0	I/O/PP	Date Line(bit0)
8	DAT1	I/O/PP	Date Line(bit1)

NOTES:

- MATERIAL:
 - 1-1.HOUSING:LCP 30%G/F,UL94 V-0,COLOR:BLACK;
 - 1-2.CONTACT:C5191-H T=0.15mm
 - 1-3.SHIELDED:SUS 201-1/2H T=0.20mm
- FINISH:
 - 2-1.CONTACT: 1 u" GOLD PLATING ON CONTACT AREA
 - 1 u" GOLD PLATING ON FRONT SOLDER TAILS
 - Sn 100u" MIN. PLATING ON BACK SOLDER TAILS
 - 50u" MIN.NICKEL UNDERPLATING OVER ALL
 - 2-2.SHIELDED: NO PLATING
- PRODUCT SPECIFICATIONS:
 - 3-1.VOLTAGE RATING: 100V
 - 3-2.CURRENT RATING: 0.5A
 - 3-3.INSULATION RESISTANCE: 1000 MEG.OHM MIN
 - 3-4.CONTACT RESISTANCE: 100 MILL.OHM MAX
 - 3-5.OPERATION TEMPERATURE: -20° TO +85°



RECOMMENDED PCB LAYOUT(TOP VIEW)
GENERAL TOLERANCES:±0.05

PART.NO.:
MR05-AN401-**

- 42: 功能区镀金1U",锡脚镀雾纯锡至少100U"
- 43: 功能区镀金3U",锡脚镀雾纯锡至少100U"
- 44: 功能区镀金5U",锡脚镀雾纯锡至少100U"
- 45: 功能区镀金10U",锡脚镀雾纯锡至少100U"
- 46: 功能区镀金15U",锡脚镀雾纯锡至少100U"
- 47: 功能区镀金30U",锡脚镀雾纯锡至少100U"

GENERAL TOLERANCE	DWG.NO.	MR05-AN401-00	PART.NO.	MR05-AN401-**	DRAWN	LH 2012.09.20	UNIT	mm	SCALE	ND SCALE
x.±0.50	REV.	B	TITLE	micro sd 掀盖式 (H=1.90)	CHECKED		东莞市欧联电子科技有限公司 DONGGUAN OLN ELECTRONICS TECHNOLOGY CO., LTD.			
.x±0.25	SIZE	A4	SHEET	1 OF 1	APPROVED					
.xx±0.15										

东莞市欧联电子科技有限公司

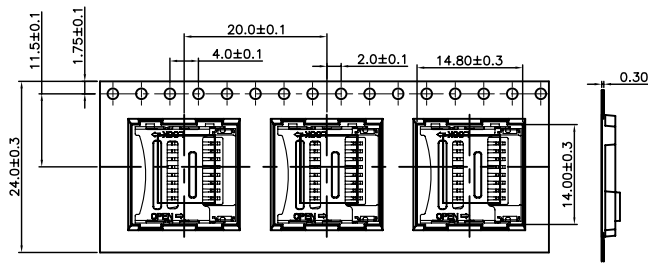
包裝作業規範

品名	microsd 掀盖式 H=1.9/1.6mm
料號	MR05-AN401-**

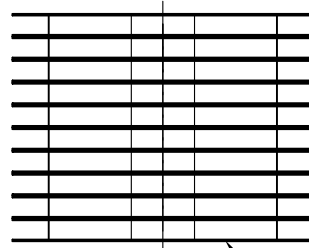
REEL盤料號	W06-0008
紙箱料號	W01-0006

包裝作業圖示及說明 (PACKING OPERATION DIAGRAM & INSTRUCTION)

- 一.
- 將成品一一放入REEL包裝盤內, 依同一方向放入 .
 - 包裝時, 如圖所示 .
 - 一個REEL包裝盤放置 1000 個成品 .

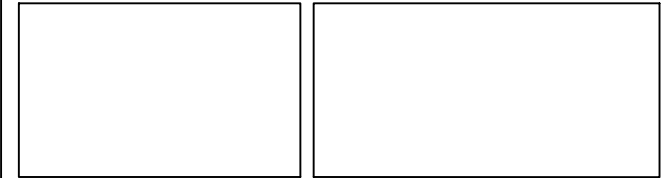


- 三.
- 每箱裝 10 盤REEL包裝盤 .
 - 每箱放置 10000 PCS 的成品 .

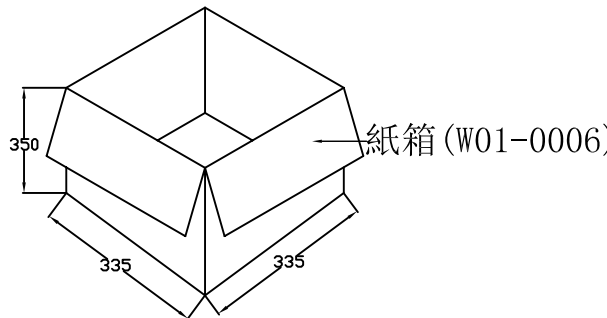
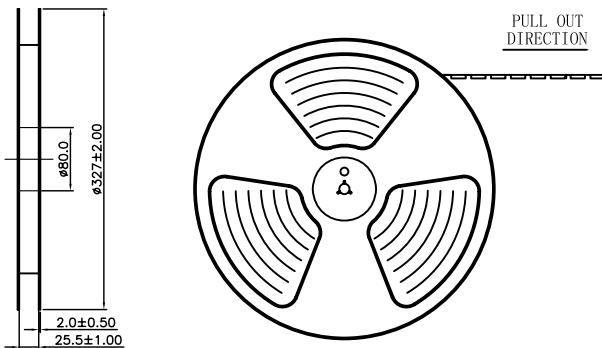


REEL盤 (W06-0008)

- 四.
- 用TAPE將紙箱封實 .



- 二.
- 裝盤前先把前面空25格, 然后再开始裝盤, 尾端也需空出15格.
 - 裝滿成品的REEL包裝盤如下圖所示.



紙箱 (W01-0006)

備註 (REMARK)

- 若有未裝滿之零數箱, 必須以緩衝材塞滿 .

GENERAL TOLERANCE		FILE.NO.	3C-ENW1008A	PART.NO.	MR05-AN401-**	DRAWN	lixiaoli 2010.11.02	MATERIAL		SCALE	1:1
x. ± 0.35	x. ± 5°	REV.	A	TITLE	Micro sd 掀盖式(H=1.90/1.60mm)	CHECKED		DATE	2010.11.02	UNIT	mm
.x ± 0.25	.x ± 2°	SIZE		SHEET	1/1	APPROVED	MIKE 2010.11.02	东莞市欧联电子科技有限公司			
.xx ± 0.15	.xx ± 1°	A4									